

DESY Grid Status



* e-mail: Andreas.Gellrich@desy.de



<http://grid.desy.de/>

Grid Activities at DESY

- DESY Grid Testbed2
- **E**nabling **G**rid for **E**-Science in **E**urope (EGEE) (SA1)
- D-GRID (AK1,2,4,5)
- International **L**attice **D**ata **G**rid (ILDG)
- (**L**inear **C**ollider **D**ata **G**rid (LCDG))

- dCache



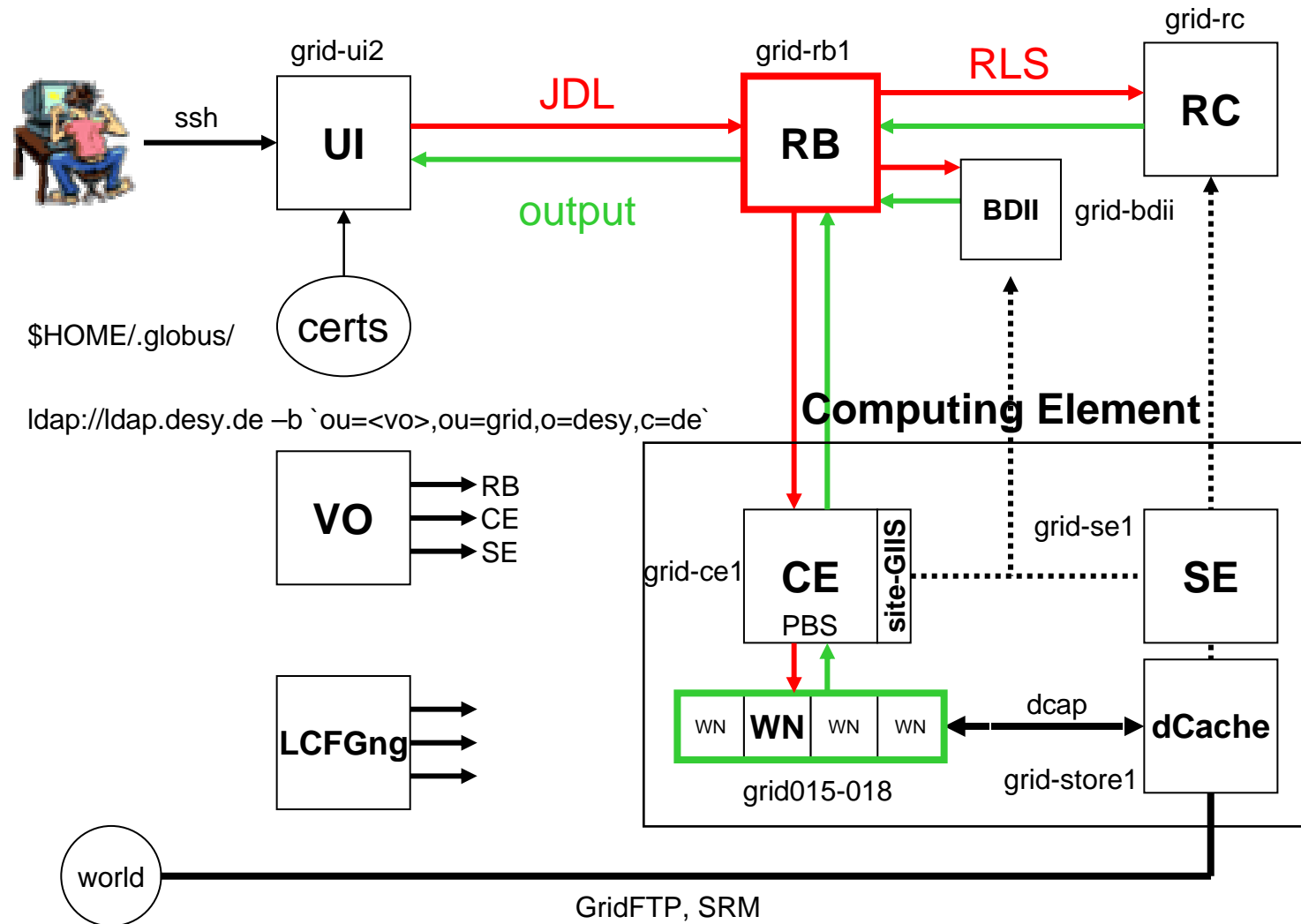
DESY Grid Testbed2 ...

- Setting up a uniform Grid infrastructure which serves the needs of all DESY experiments and groups („*Federating Resources*“)
- 2-tier model: integration testbed and a production system
- The Production system could be part of (HEP-)D-GRID and EGEE
- Installation is LCG-2-based exploiting LCFGng, see: http://grid.desy.de/testbed2/lcg-2_lcfgng-install.html
- DESY maintains VOs for DESY experiments and groups
- Provisioning of resources to VOs is a matter of *policies*
- Shares can be divided by means of the batch system



... DESY Grid Testbed2 ...

<http://grid.desy.de/>

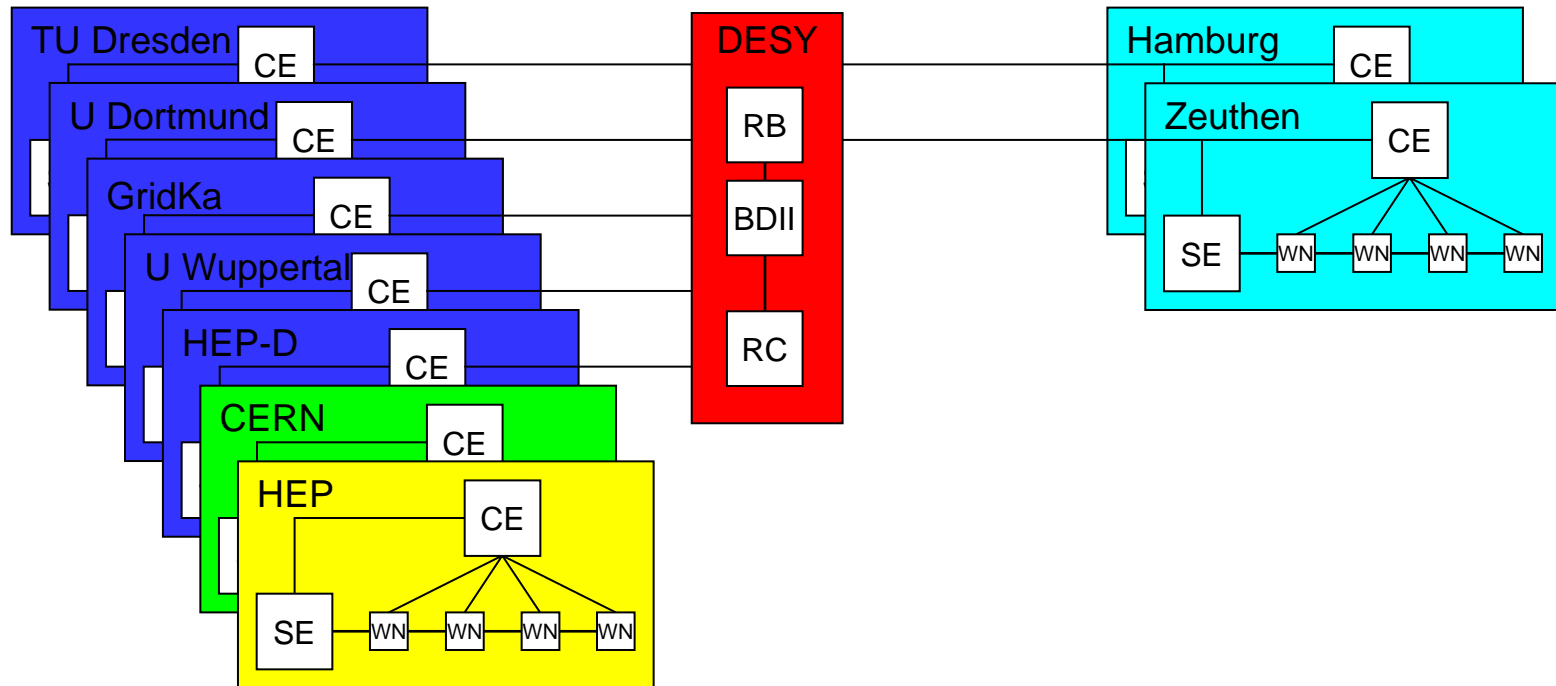




... DESY Grid Testbed2 ...

German & LHC VOs

DESY & German VOs



<http://grid.desy.de/>



... DESY Grid Testbed2

gellrich@grid-ui2: [~/it/testbed2] edg-job-list-match env.jdl

Selected Virtual Organisation name (from JDL): dteam

Connecting to host grid-rb1.desy.de, port 7772

COMPUTING ELEMENT IDs LIST

The following CE(s) matching your job requirements have been found:

e5grid03.physik.uni-dortmund.de:2119/jobmanager-lcgpbs-infinite

e5grid03.physik.uni-dortmund.de:2119/jobmanager-lcgpbs-long

e5grid03.physik.uni-dortmund.de:2119/jobmanager-lcgpbs-short

grid-ce.physik.uni-wuppertal.de:2119/jobmanager-pbs-long

grid-ce.physik.uni-wuppertal.de:2119/jobmanager-pbs-medium

grid-ce.physik.uni-wuppertal.de:2119/jobmanager-pbs-short

grid-ce1.desy.de:2119/jobmanager-lcgpbs-infinite

grid-ce1.desy.de:2119/jobmanager-lcgpbs-long

grid-ce1.desy.de:2119/jobmanager-lcgpbs-medium

grid-ce1.desy.de:2119/jobmanager-lcgpbs-short

hik-lcg-ce.fzk.de:2119/jobmanager-pbspro-lcg

lxn1181.cern.ch:2119/jobmanager-lcgpbs-infinite

lxn1181.cern.ch:2119/jobmanager-lcgpbs-long

lxn1181.cern.ch:2119/jobmanager-lcgpbs-short

lxn1184.cern.ch:2119/jobmanager-lcglsf-grid



Summary

- DESY has a working Grid infrastructure
- Member in the LCG-2 TestZone

- DESY has a working ResourceBroker (RB)

- Tests with other German sites were successful

- Collaboration within VOs started (VO=h1 w/ U Dortmund)

- We have a motivated community at DESY to use the Grid
- DESY is Tier-0/1 for DESY experiments

- DESY will set up a production-level system
- Resources for DESY, EGEE, etc.



Open Issues

- Future of the HEP Research Grid (HDG) in the interplay of LCG, D-GRID, and EGEE?
- What to expect from the D-GRID initiative?
- Funding for what?
- Policies for federating resources?
- Where is the „*German*“ ResourceBroker supposed to be?
- Do we provide resources for non-HEP applications?
- VirtualOrganizations (VO) for non-HEP members?
- VOMS?